
The following page(s) are extracted from multi-page Kuhnke product catalogues or CDRoms and any page number shown is relevant to the original document. The PDF sheets here may have been combined to provide technical information about the specific product(s) you have selected.

Hard copy product catalogues, and CDRoms have been published describing Kuhnke Pneumatics, Solenoids, Relays and Electronics; some divided into different books. A list of current publications is available on this web site or from our sales offices. Some may be available for download, but as substantially larger files.

Contact Details

Kuhnke sales and service in the UK

H. Kuhnke Ltd
Unit 6 Focus 303
Focus Way, Walworth Business Park
Andover
Hampshire
SP10 5NY
United Kingdom

Tel: +44 (0)1264 364194
Fax: +44 (0)1264 365991
Email: sales@kuhnke.co.uk

Important Note

The information shown in these documents is for guidance only. No liability is accepted for any errors or omissions. The designer or user is solely responsible for the safe and proper application of the parts, assemblies or equipment described.

Kompakt-Ventile LPP700
 Baubreite 15 mm
 Modulares System Sub-D Ventilinsel
 Merkmale

Compact Valves LPP700
 Width 15 mm
 Modular System Sub-D Valve Island
 Features

Monostabil
 Bis zu 18 Ventilplätze
 Sub-D Anschluss 25 pin
 Schutzart IP 65
 5/2-Wege



Monostable
 Up to 18 valve positions
 Sub-D connector 25 pin
 Protection class IP 65
 5/2-way

Bistabil
 Bis zu 11 Ventilplätze
 Sub-D Anschluss 25 pin
 Schutzart IP 65
 5/2-Wege



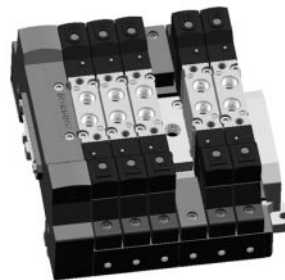
Bistable
 Up to 11 valve positions
 Sub-D connector 25 pin
 Protection class IP65
 5/2-way

Gemischte Bestückung
 Monostabil – bistabil – 5/3-Wege
 Schutzart IP 65



Mixed configuration
 Monostable – bistable – 5/3-way
 Protection class IP 65

Getrennte Druckbereiche und
 Zwischeneinspeisung



Different pressures and
 Intermediate pressure supply

Beidseitige Sub-D Versorgung
 Verdoppelung der Ventilplätze durch
 Verwendung zweier Sub-D Module



Double sided Sub-D supply
 Double number of positions using
 two Sub-D input modules

Kompakt-Ventile LPP700
 Baubreite 15 mm
 Modulares System Sub-D Ventilinsel

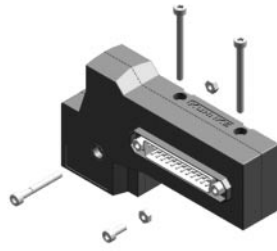
Compact Valves LPP700
 Width 15 mm
 Modular System Sub-D Valve Island

Eingangsmodul Monostabil

Bestell-Nr.
77.0IMM

Input Module Monostable

Order no.
77.0IMM

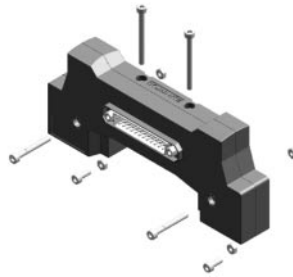


Eingangsmodul Bistabil

Bestell-Nr.
77.0IMB

Input Module Bistable

Order no.
77.0IMB

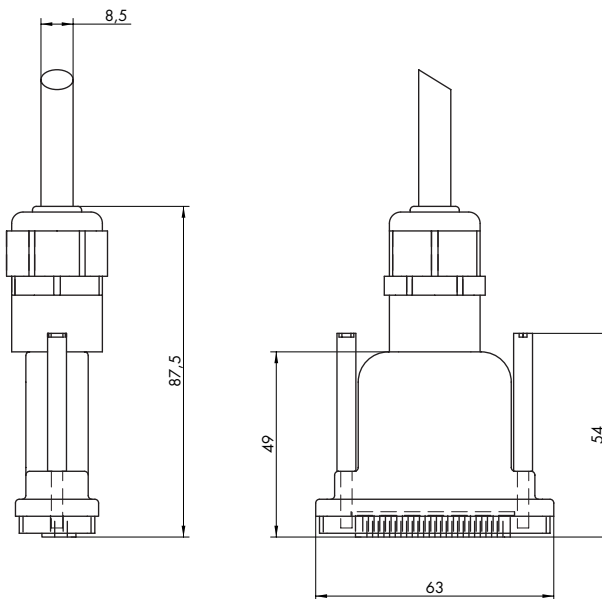


Steckverbinder Sub-D IP 65

Bestell-Nr.
77.CAB (5 m)

Sub-D Connector IP 65

Order no.
77.CAB (5 m)

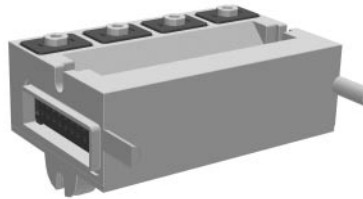


Kompakt-Ventile LPP700
Baubreite 15 mm
Modulares System Sub-D Ventilinsel

Compact Valves LPP700
Width 15 mm
Modular System Sub-D Valve Island

Verbindungsmodul 4 Plätze

Bestell-Nr.	
rechts	77.0M4R
links	77.0M4L

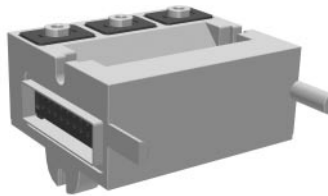


Connection Module 4 positions

Order no.	
77.0M4R	right
77.0M4L	left

Verbindungsmodul 3 Plätze

Bestell-Nr.	
rechts	77.0M3R
links	77.0M3L

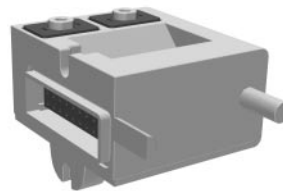


Connection Module 3 positions

Order no.	
77.0M3R	right
77.0M3L	left

Verbindungs-End-Modul 2 Plätze

Bestell-Nr.	
rechts	77.0M2R
links	77.0M2L

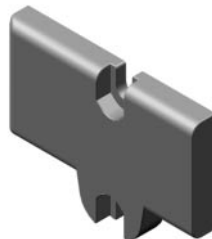


Connection-end-module 2 positions

Order no.	
77.0M2R	right
77.0M2L	left

Abschlusskappe für
Verbindungsmodul 3 und 4 Plätze

Bestell-Nr.	
rechts	77.0ENDR
links	77.0ENDL



End-cap for
Connection Module 3 and 4 positions

Order no.	
77.0ENDR	right
77.0ENDL	left

Blindplatte für ungenutzten elektrischen
Steckplatz

Bestell-Nr.	
77.0PLUG	



Blindplug for not used electrical position

Order no.	
77.0PLUG	

Pin Strip

Bestell-Nr.	
77.0PIN (10 Stck)	

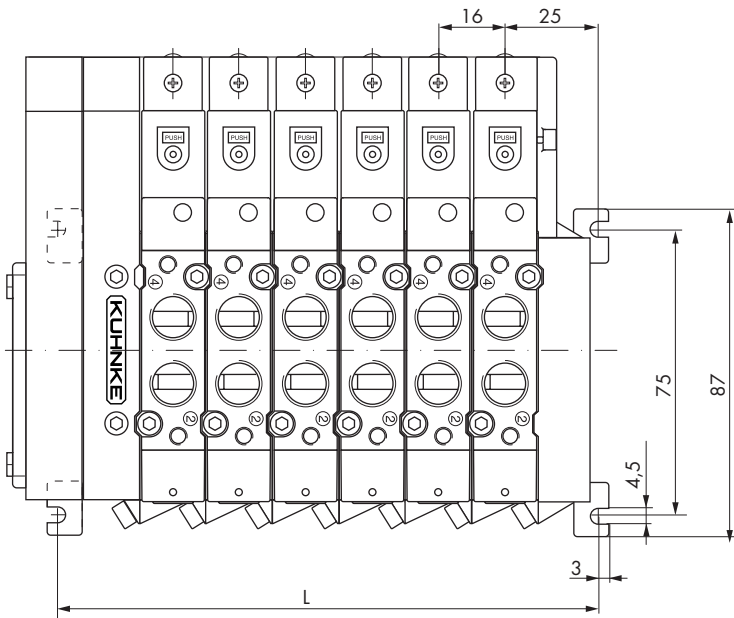
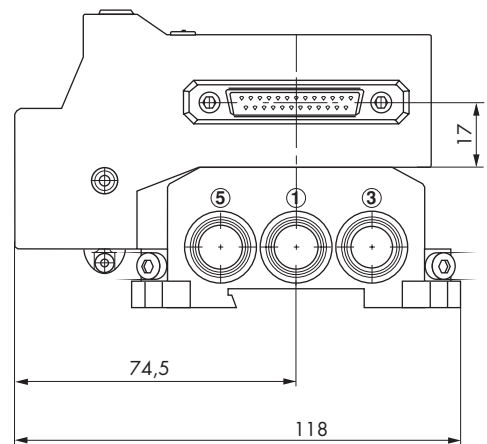
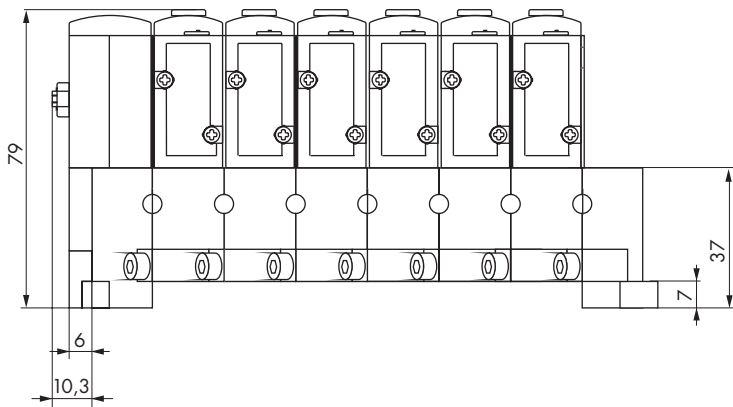


Pin strip

Order no.	
77.0PIN (10 pcs)	

Kompakt-Ventile LPP700
 Baubreite 15 mm
 Modulares System Sub-D Ventilinsel
 Maßbild monostabil

Compact Valves LPP700
 Width 15 mm
 Modular System Sub-D Valve Island
 Dimensional Drawing Monostable



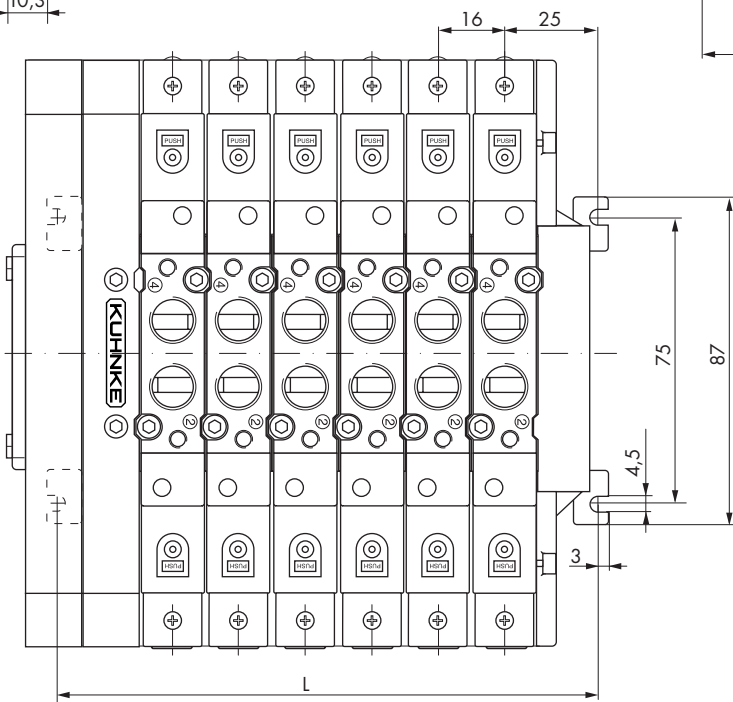
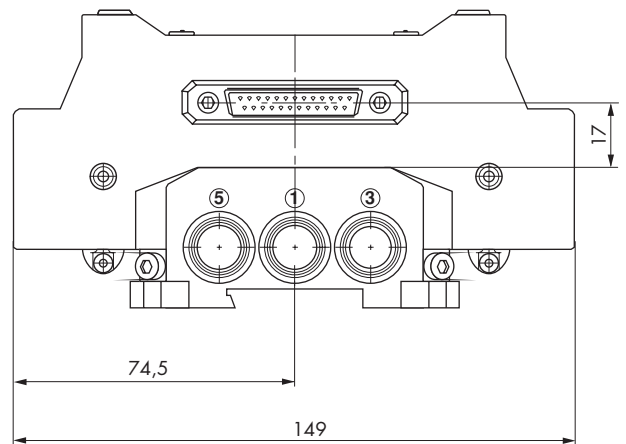
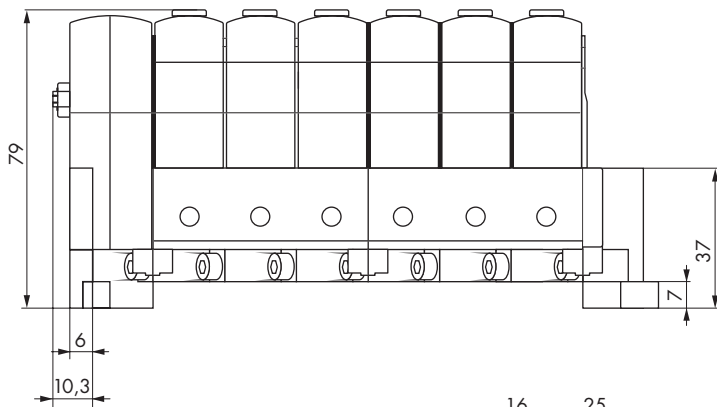
Anzahl der Ventilplätze

Number of stations

	2	3	4	5	6	7	8	9	10	11	12	13	14	15	16	17	18
L	66	82	98	114	130	146	162	178	194	210	226	242	258	274	290	306	322

Kompakt-Ventile LPP700
 Baubreite 15 mm
 Modulares System Sub-D Ventilinsel
 Maßbild bistabil

Compact Valves LPP700
 Width 15 mm
 Modular System Sub-D Valve Island
 Dimensional Drawing Bistable



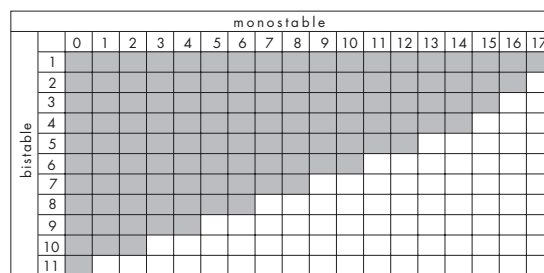
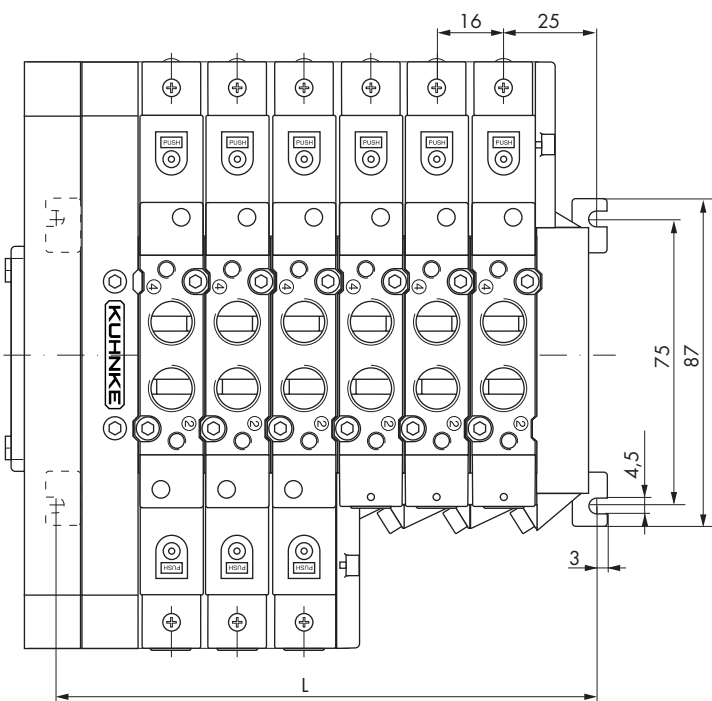
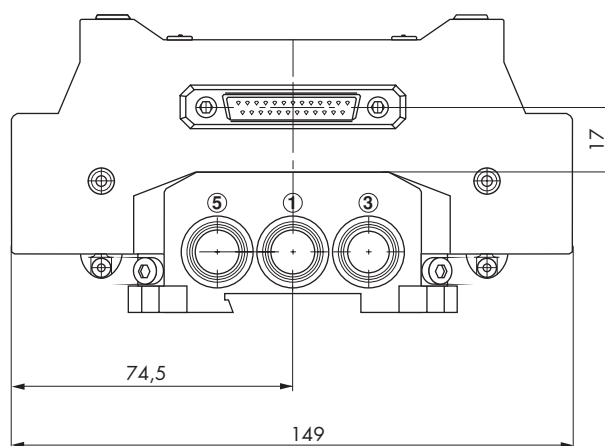
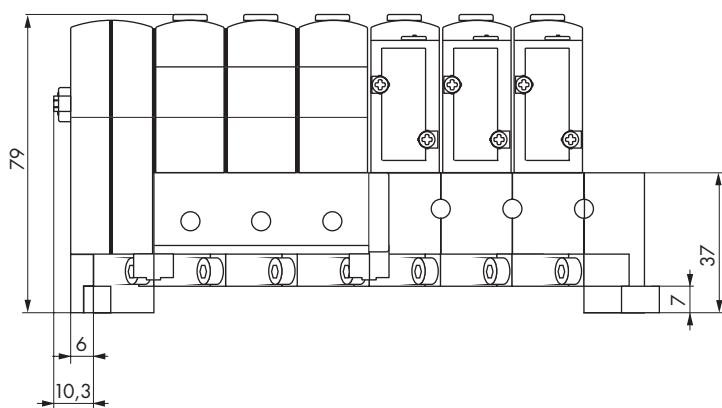
Anzahl der Ventilplätze

Number of stations

	2	3	4	5	6	7	8	9	10	11
L	66	82	98	114	130	146	162	178	194	210

Kompakt-Ventile LPP700
 Baubreite 15 mm
 Modulares System Sub-D Ventilinsel
 Maßbild gemischte Bestückung

Compact Valves LPP700
 Width 15 mm
 Modular System Sub-D Valve Island
 Dimensional Drawing Mixed Configuration



VARIOUS POSSIBLE ASSEMBLINGS

Anzahl der Ventilplätze

Number of stations

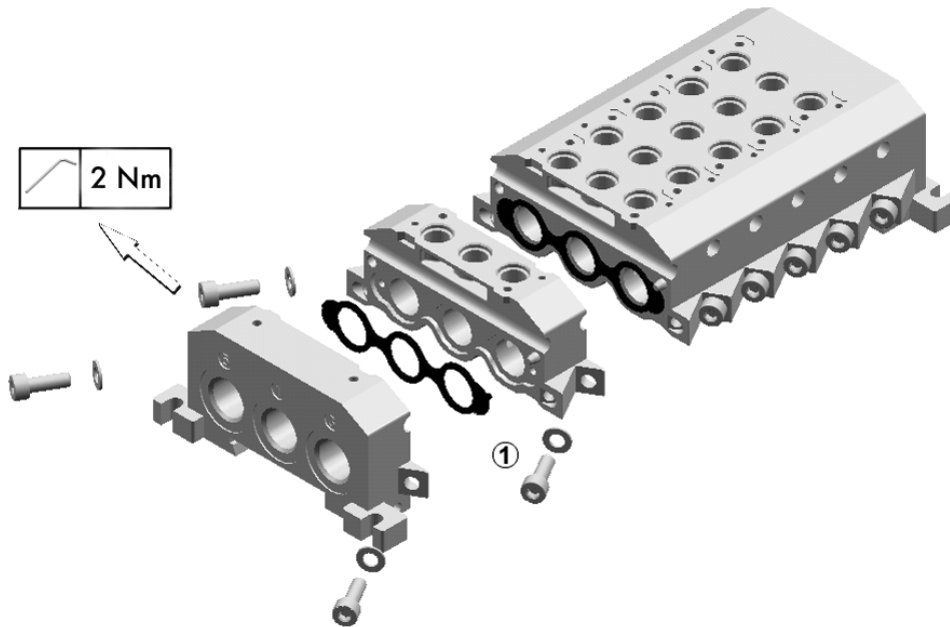
	2	3	4	5	6	7	8	9	10	11	12	13	14	15	16	17	18
L	66	82	98	114	130	146	162	178	194	210	226	242	258	274	290	306	322

Kompakt-Ventile LPP700
Baubreite 15 mm
Modulares System Sub-D Ventilinsel
Montagehinweise

Compact Valves LPP700
Width 15 mm
Modular System Sub-D Valve Island
Assembly

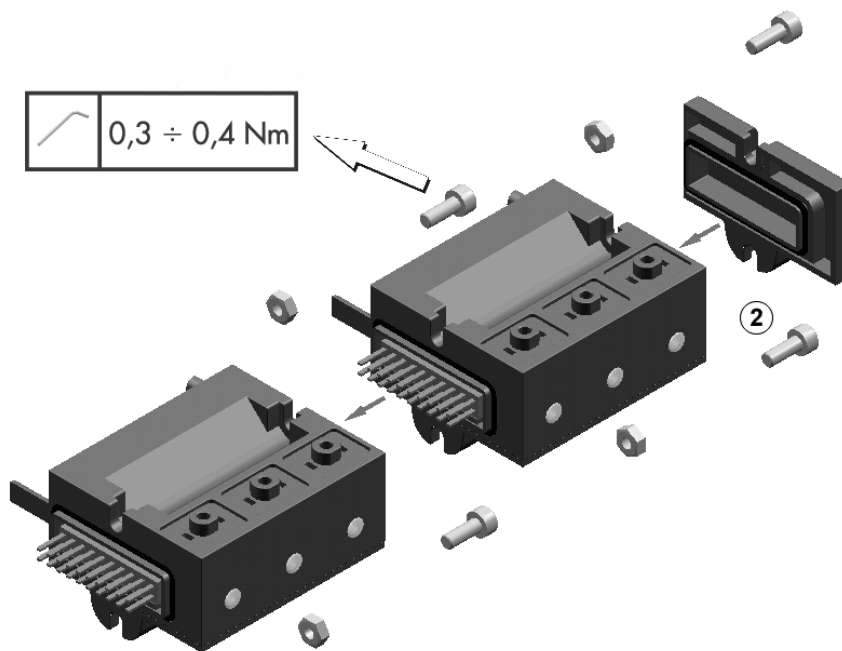
Montage der Anschlussplatten

Assembly of the subplates



Montage der Verbindungsmodule

Assembly of the connecting modules

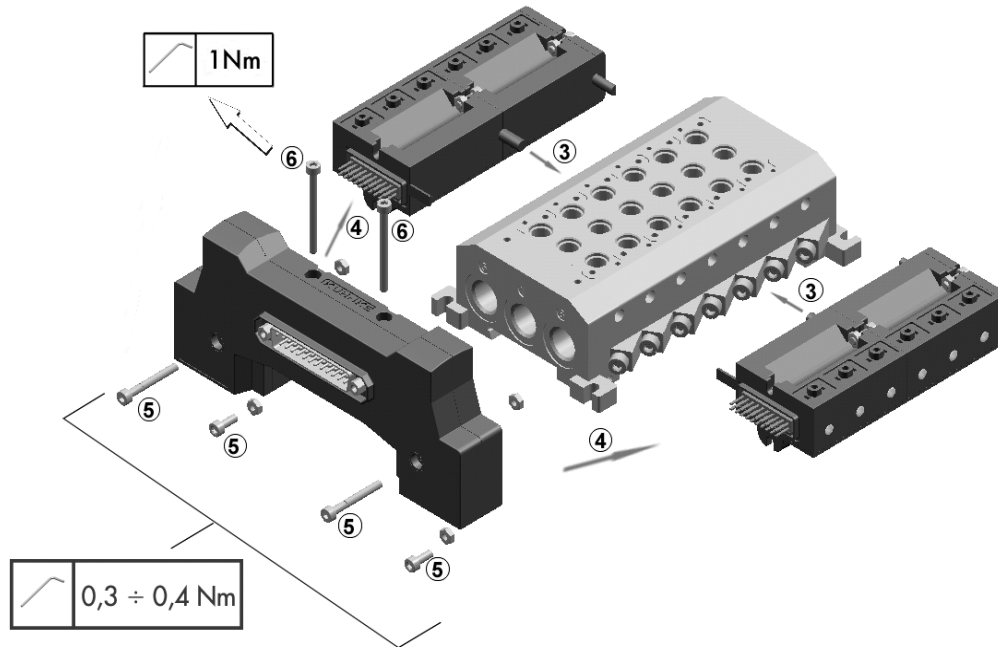


Kompakt-Ventile LPP700
 Baubreite 15 mm
 Modulares System Sub-D Ventilinsel
 Montagehinweise

Compact Valves LPP700
 Width 15 mm
 Modular System Sub-D Valve Island
 Assembly

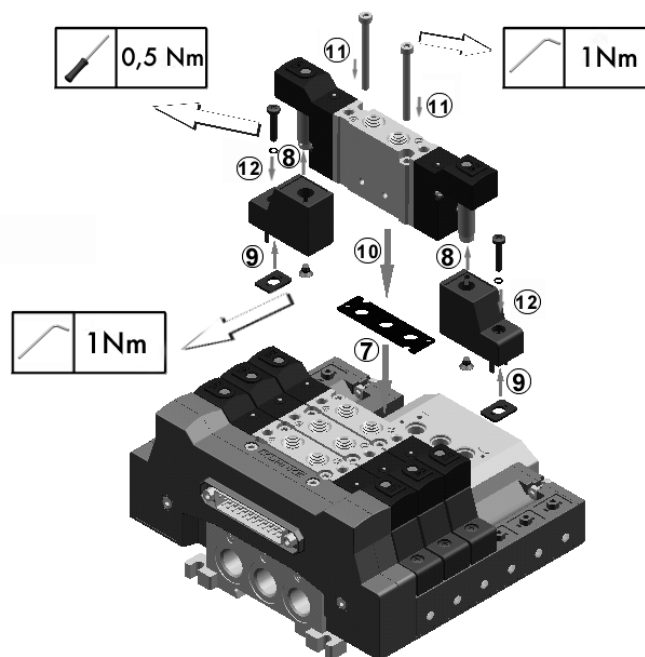
Montage der Module an die Anschluss-
 platten

Mounting of the modules to the subplates



Montage der Ventile

Assembly of the valves

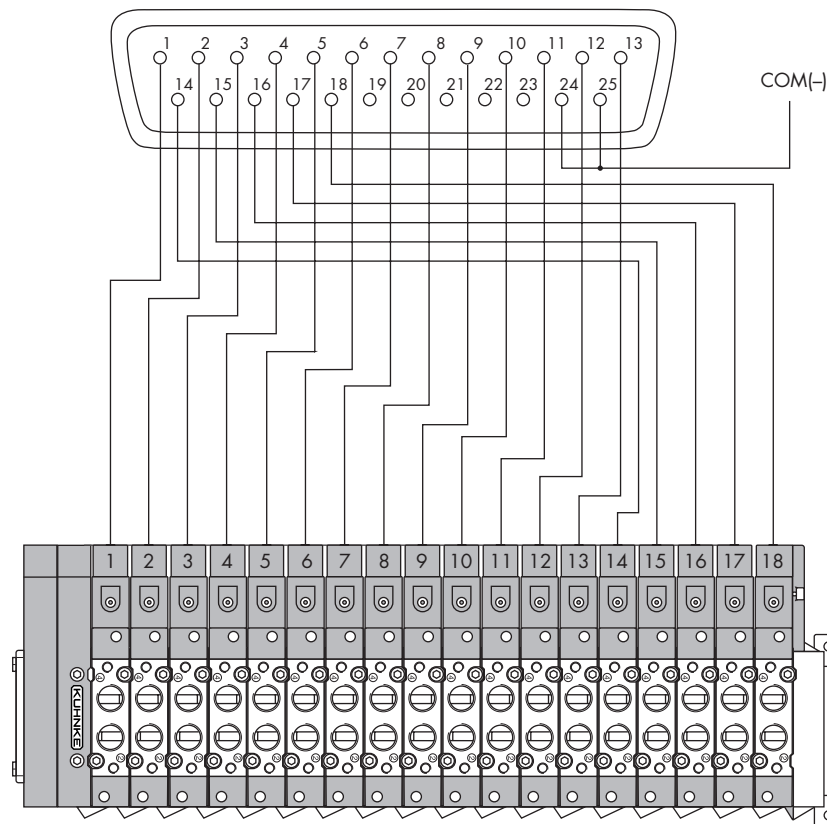
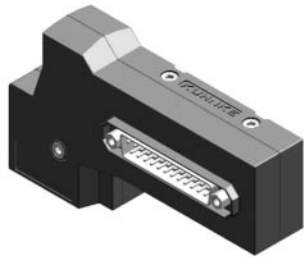


Kompakt-Ventile LPP700
 Baubreite 15 mm
 Modulares System Sub-D Ventilinsel
 Verdrahtung 25 pin Stecker

Compact Valves LPP700
 Width 15 mm
 Modular System Sub-D Valve Island
 Wiring 25 pin Connector

Monostabil

Monostable



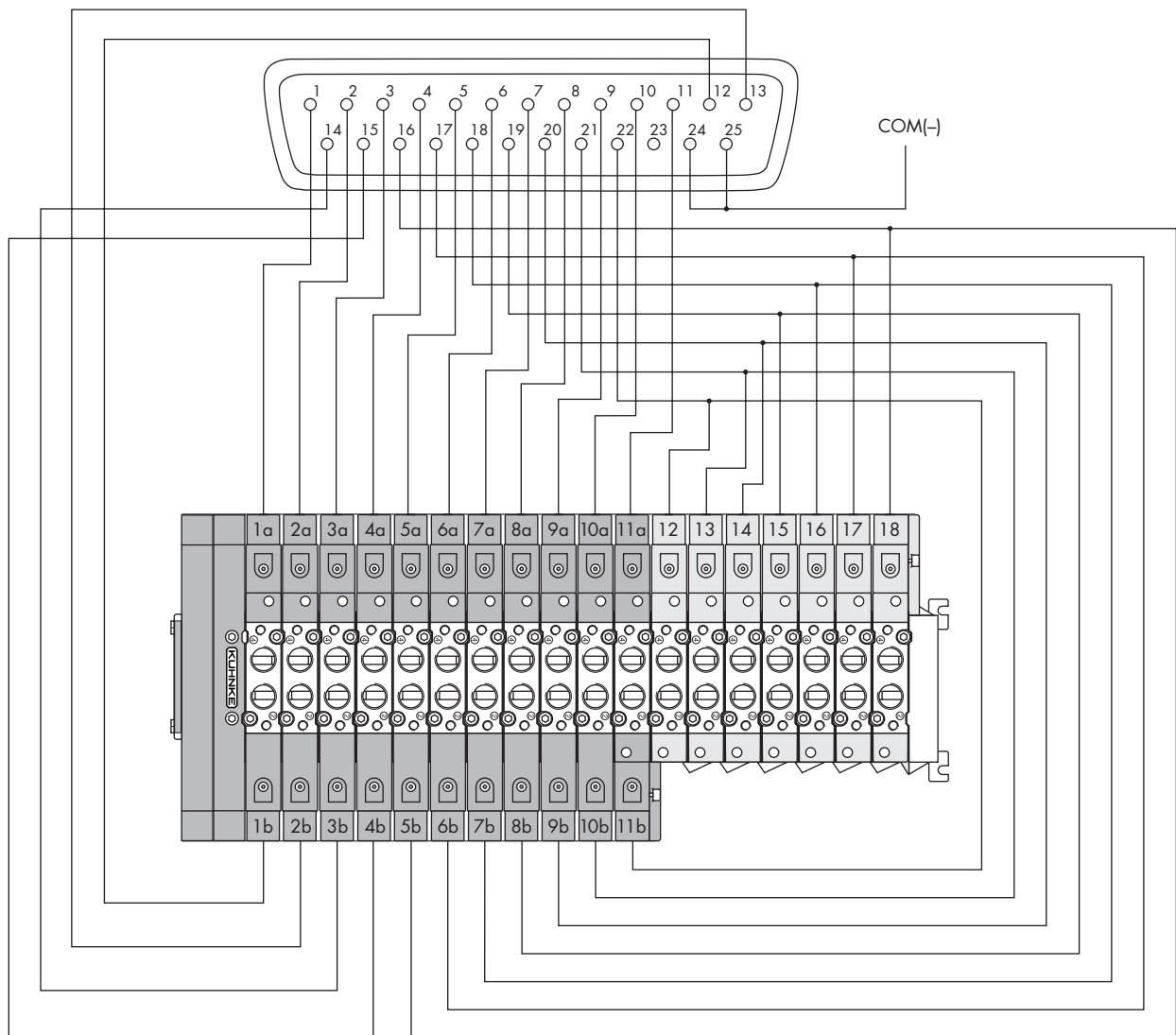
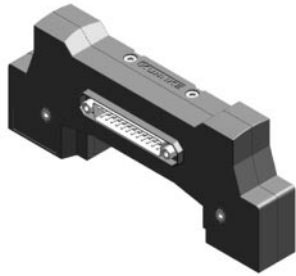
Buchsen-Nr. im Sub-D-Stecker	1	2	3	4	5	6	7	8	9	10	11	12	13	Pin no. Sub-D connector
Farbe der Isolation	BN brown	BN brown	RD red	RD red	RD red	OR orange	OR orange	OR orange	PK pink	PK pink	YE yellow	YE yellow	GN green	Colour of insulation
Farbe des Kennstreifens		WT white		WT white	BK black		WT white	BK black		BK black		BK black	(dark)	Colour of identification strip
Buchsen-Nr. im Sub-D-Stecker	14	15	16	17	18	19	20	21	22	23	24	25		Pin no. Sub-D connector
Farbe der Isolation	GN green	GN green	GN green	BU blue	BU blue	VT violet	VT violet	GY grey	GY grey	WH white	BK black	BK black		Colour of insulation
Farbe des Kennstreifens	WH white	BK black	(bright)		WH white		WH white		BK black			GY grey		Colour of identifications strip

Kompakt-Ventile LPP700
 Baubreite 15 mm
 Modulares System Sub-D Ventilinsel
 Verdrahtung 25 pin Stecker

Compact Valves LPP700
 Width 15 mm
 Modular System Sub-D Valve Island
 Wiring 25 pin Connector

Bistabil

Bistable



Buchsen-Nr. im Sub-D-Stecker	1	2	3	4	5	6	7	8	9	10	11	12	13	Pin no. Sub-D connector
Farbe der Isolation	BN brown	BN brown	RD red	RD red	RD red	OR orange	OR orange	OR orange	PK pink	PK pink	YE yellow	YE yellow	GN green	Colour of insulation
Farbe des Kennstreifens		WT white		WT white	BK black		WT white	BK black		BK black		BK black	(dark)	Colour of identification strip
Buchsen-Nr. im Sub-D-Stecker	14	15	16	17	18	19	20	21	22	23	24	25		Pin no. Sub-D connector
Farbe der Isolation	GN green	GN green	GN green	BU blue	BU blue	VT violet	VT violet	GY grey	GY grey	WH white	BK black	BK black		Colour of insulation
Farbe des Kennstreifens	WH white	BK black	(bright)		WH white		WH white		BK black			GY grey		Colour of identifications strip