
The following page(s) are extracted from multi-page Kuhnke product catalogues or CDRoms and any page number shown is relevant to the original document. The PDF sheets here may have been combined to provide technical information about the specific product(s) you have selected.

Hard copy product catalogues, and CDRoms have been published describing Kuhnke Pneumatics, Solenoids, Relays and Electronics; some divided into different books. A list of current publications is available on this web site or from our sales offices. Some may be available for download, but as substantially larger files.

Contact Details

Kuhnke sales and service in the UK

H. Kuhnke Ltd
Unit 6 Focus 303
Focus Way, Walworth Business Park
Andover
Hampshire
SP10 5NY
United Kingdom

Tel: +44 (0)1264 364194
Fax: +44 (0)1264 365991
Email: sales@kuhnke.co.uk

Important Note

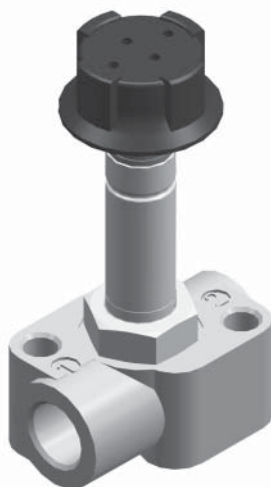
The information shown in these documents is for guidance only. No liability is accepted for any errors or omissions. The designer or user is solely responsible for the safe and proper application of the parts, assemblies or equipment described.

Magnetventile Typ 76
NW 1,5
3/2-Wege Ventile
Direktgesteuert

Solenoid Valves Type 76
1.5 Orifice
3/2-Way Valves
Directional Valves

Pilotventil

Direktbetätigt
Für Luft und neutrale Gase
Druckbereich: 0 - 9 bar
Temperaturbereich: -15 °C bis + 50 °C
Werkstoffe: Gehäuse aus GDZN
Dichtungen aus NBR
Betätigung: Elektromagnet
Rückstellung: Feder
NW 1,5: 9 bar; kv l/min 0,7
Spulentyp: 76.412.xx.xx

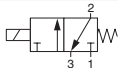


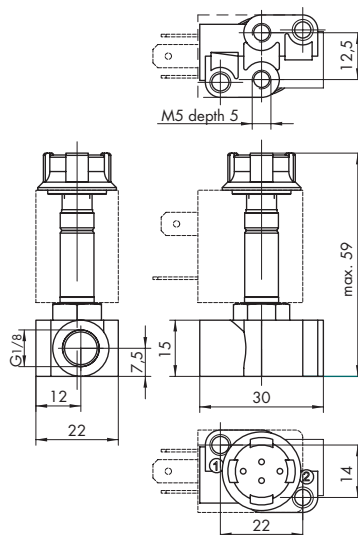
Pilot Valve

Direct actuation
For air and neutral gas
Pressure range: 0 - 9 bar
Temperature range: -15 °C to + 50 °C
Materials: housing: Zamak
seals: NBR
Actuation: solenoid
Return: spring
NW 1.5: 9 bar; kv l/min 0.7
Coil type: 76.412.xx.xx

Bestell-Nr.*

Order No.*

Pilotventil	NW		Orifice	Pilot Valve
76.036.01.00	1,5		1.5	76.036.01.00



* Diese Bestell-Nummer bezieht sich auf das Ventil ohne Spule. Bitte bestellen Sie die entsprechende Spule unter der oben aufgeführten Bestell-Nummer separat.

* This order number refers to the valve without coil. Please order the respective coil separately with the order number indicated above.