

The following page(s) are extracted from multi-page Kuhnke product catalogues or CDROMs and any page number shown is relevant to the original document. The PDF sheets here may have been combined to provide technical information about the specific product(s) you have selected.

Hard copy product catalogues, and CDROMs have been published describing Kuhnke Pneumatics, Solenoids, Relays and Electronics; some divided into different books. A list of current publications is available on this web site or from our sales offices. Some may be available for download, but as substantially larger files.

## Contact Details

Kuhnke sales and service in the UK

H. Kuhnke Ltd  
Unit 21, Abbey Enterprise Center  
Premier Way  
Romsey  
Hants  
SO51 9AQ

T: 01794 514445

F: 01794 513514

Email: [sales@kuhnke.co.uk](mailto:sales@kuhnke.co.uk)

### Important Note

The information shown in these documents is for guidance only. No liability is accepted for any errors or omissions. The designer or user is solely responsible for the safe and proper application of the parts, assemblies or equipment described.

---



# Luminous connectors DIN 43650



## Luminous connectors DIN 43650-C

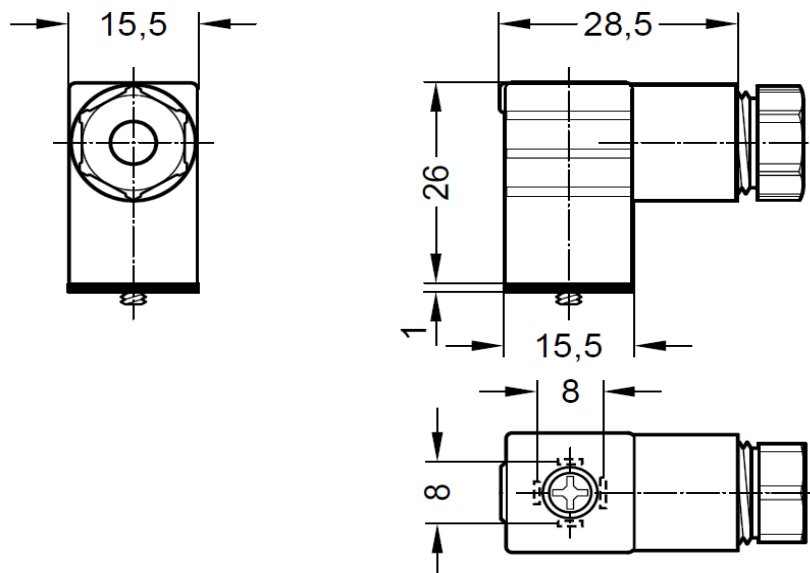


### Technical Data

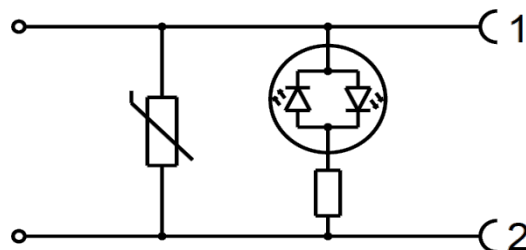
Housing:	transparent
Contacts:	screw with conductor protection
Number of poles:	2 + ground
Cable screw connection:	PG 7
Protection class:	IP 65 (mated)
Wire cross-section:	0,75 mm <sup>2</sup>
Led colour:	amber
Gasket:	NBR flat
Nominal current:	10 A
Operating temperature:	-40°C... +125°C
Contact resistance:	≤ 4 mΩ



### Dimensions



### Circuit



### Products

ID NB	Reference	Description
133052	CA4L024	Luminous connector 24V DIN C
133053	CA4L115	Luminous connector 115V DIN C
133054	CA4L230	Luminous connector 230V DIN C

## Luminous connectors DIN 43650-B

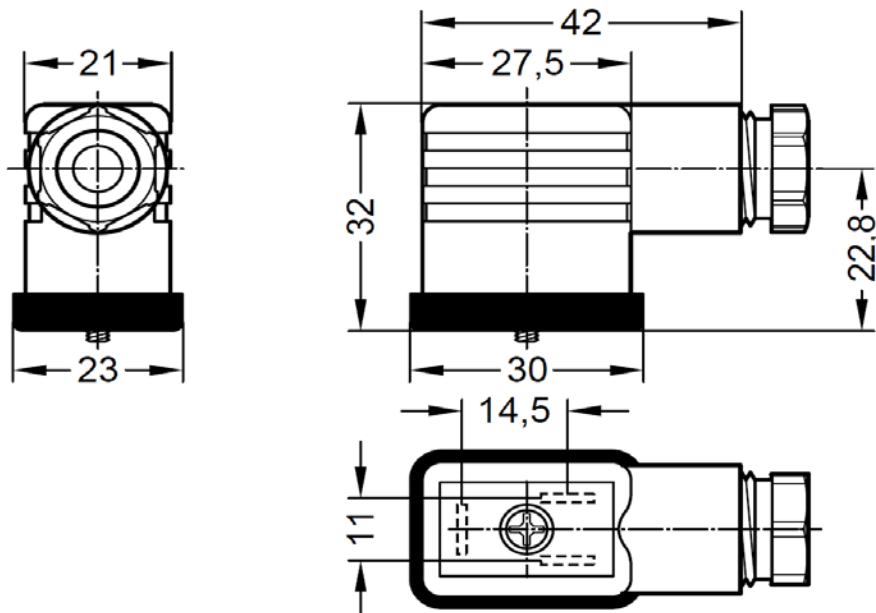


### Technical Data

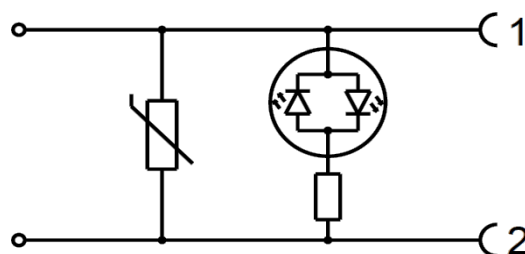
Housing:	transparent
Contacts:	screw with conductor protection
Number of poles:	2 + ground
Cable screw connection:	PG 9
Protection class:	IP 65 (mated)
Wire cross-section:	1,50 mm <sup>2</sup>
Led colour:	amber
Gasket:	NBR profile
Nominal current:	10 A
Operating temperature:	-40°C... +125°C
Contact resistance:	≤ 4 mΩ



### Dimensions



### Circuit



### Products

ID NB	Reference	Description
133037	CA1L024	Luminous connector 24V DIN B
133038	CA1L115	Luminous connector 115V DIN B
133039	CA1L230	Luminous connector 230V DIN B

# Luminous connectors

## DIN 43650-A

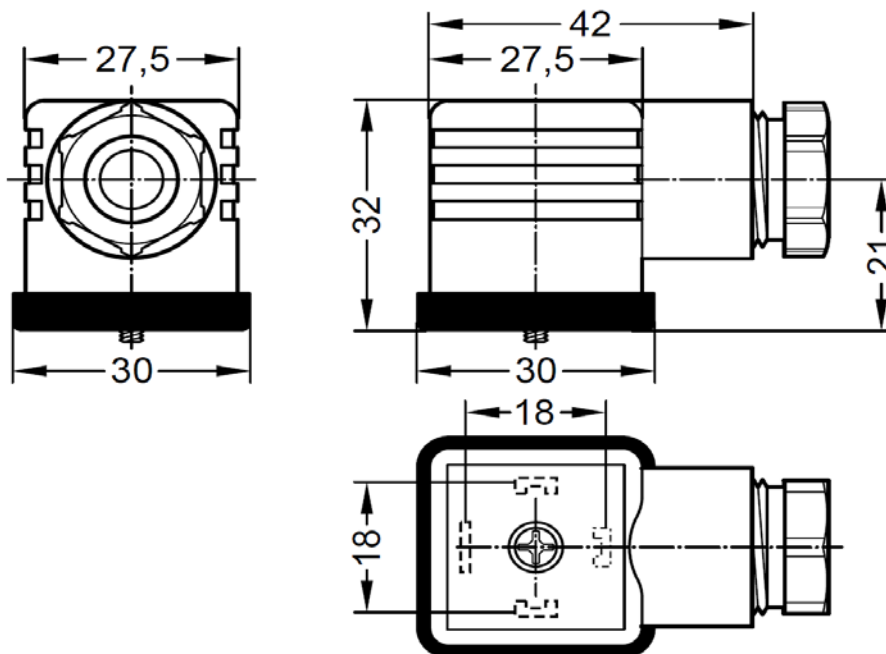


### Technical Data

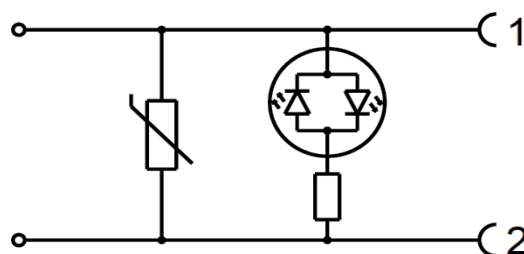
Housing:	transparent
Contacts:	screw with conductor protection
Number of poles:	2 + ground
Cable screw connection:	PG 9
Protection class:	IP 65 (mated)
Wire cross-section:	1,50 mm <sup>2</sup>
Led colour:	amber
Gasket:	NBR profile
Nominal current:	10 A
Operating temperature:	-40°C... +125°C
Contact resistance:	≤ 4 mΩ



### Dimensions



### Circuit



### Products

ID NB	Reference	Description
133052	CA2L024	Luminous connector 24V DIN A
133053	CA2L115	Luminous connector 115V DIN A
133054	CA2L230	Luminous connector 230V DIN A