

Zuordnung der Ventile

Die Adressvergabe der Ventilplätze auf der LPP Ventilinsel erfolgt von links nach rechts. Jeder Ventilplatz hat je nach montierten Ventiltyp eine feste Adresse. Bistabile Ventiltypen belegen zwei Adressen, monostabile Ventiltypen nur eine Adresse.

Allocation of Valves

The addresses of the valve ports on the LPP valve island are allocated from left to right. Every valve port has a set address, depending on the valve type installed. Bistable valves are given two addresses, monostable valve types just one address.



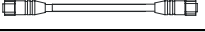
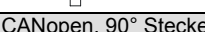
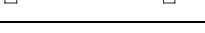
		Ventilplatz / Valve port																	
		1	2	3	4	5	6	7	8	9	10	11	12	13	14	15	16	17	18
Anzahl der bistabilen Ventile Number of bistable valves	0	0.0	0.1	0.2	0.3	0.4	0.5	0.6	0.7	1.0	1.1	1.2	2.5	2.4	2.3	2.2	2.1	2.0	1.7
	1	0.0	0.1	0.2	0.3	0.4	0.5	0.6	0.7	1.0	1.1	1.2	2.5	2.4	2.3	2.2	2.1	2.0	1.7
		1.3																	
	2	0.0	0.1	0.2	0.3	0.4	0.5	0.6	0.7	1.0	1.1	1.2	2.5	2.4	2.3	2.2	2.1	2.0	1.7
		1.3																	
	3	0.0	0.1	0.2	0.3	0.4	0.5	0.6	0.7	1.0	1.1	1.2	2.5	2.4	2.3	2.2	2.1	2.0	1.7
		1.3																	
	4	0.0	0.1	0.2	0.3	0.4	0.5	0.6	0.7	1.0	1.1	1.2	2.5	2.4	2.3	2.2	2.1	2.0	1.7
		1.3																	
	5	0.0	0.1	0.2	0.3	0.4	0.5	0.6	0.7	1.0	1.1	1.2	2.5	2.4	2.3	2.2	2.1	2.0	1.7
		1.3																	
	6	0.0	0.1	0.2	0.3	0.4	0.5	0.6	0.7	1.0	1.1	1.2	2.5	2.4	2.3	2.2	2.1	2.0	1.7
1.3		1.4																	
7	0.0	0.1	0.2	0.3	0.4	0.5	0.6	0.7	1.0	1.1	1.2	2.5	2.4	2.3	2.2	2.1	2.0	1.7	
	1.3																		1.4
8	0.0	0.1	0.2	0.3	0.4	0.5	0.6	0.7	1.0	1.1	1.2	2.5	2.4	2.3	2.2	2.1	2.0	1.7	
	1.3																		1.4
9	0.0	0.1	0.2	0.3	0.4	0.5	0.6	0.7	1.0	1.1	1.2	2.5	2.4	2.3	2.2	2.1	2.0	1.7	
	1.3																		1.4
10	0.0	0.1	0.2	0.3	0.4	0.5	0.6	0.7	1.0	1.1	1.2	2.5	2.4	2.3	2.2	2.1	2.0	1.7	
	1.3																		1.4
11	0.0	0.1	0.2	0.3	0.4	0.5	0.6	0.7	1.0	1.1	1.2								

Address 1.7
Group number
Channel number

Bestellbezeichnungen

LPP Valve Island 770 Can 77.050.0060

Zubehör

Anschlusskabel 24V, M12		
	0,3 m	77.061.0300
	1,0 m	77.061.1000
	5,0 m	77.061.5000
CANopen, gerader Stecker einseitig, M12		
	1,0 m	77.071.1000
	5,0 m	77.071.5000
CANopen, gerader Stecker doppelseitig, M12		
	1,0 m	77.072.1000
	5,0 m	77.072.5000
CANopen, 90° Stecker einseitig, M12		
	1,0 m	77.073.1000
	5,0 m	77.073.5000
CANopen, 90° Stecker doppelseitig, M12		
	0,3 m	77.074.0300
	1,0 m	77.074.1000
	5,0 m	77.074.5000

Bedienungsanleitung E 661 D

deutsch



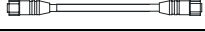
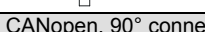
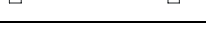
Kuhnke GmbH, www.kuhnke.com

4/4

Order references

LPP Valve Island 770 Can 77.050.0060

Accessories

Power cable 24 V, M12		
	0,3 m	77.061.0300
	1,0 m	77.061.1000
	5,0 m	77.061.5000
CANopen, straight connector single sided, M12		
	1,0 m	77.071.1000
	5,0 m	77.071.5000
CANopen, straight connector double sided, M12		
	1,0 m	77.072.1000
	5,0 m	77.072.5000
CANopen, 90° connector single sided, M12		
	1,0 m	77.073.1000
	5,0 m	77.073.5000
CANopen, 90° connector double sided, M12		
	0,3 m	77.074.0300
	1,0 m	77.074.1000
	5,0 m	77.074.5000

Instruction manual E 661 GB

english

10042615 / 5 January 2005

10042615 5 January 2005

LPP Valve Island 770 Can

77.050.0060

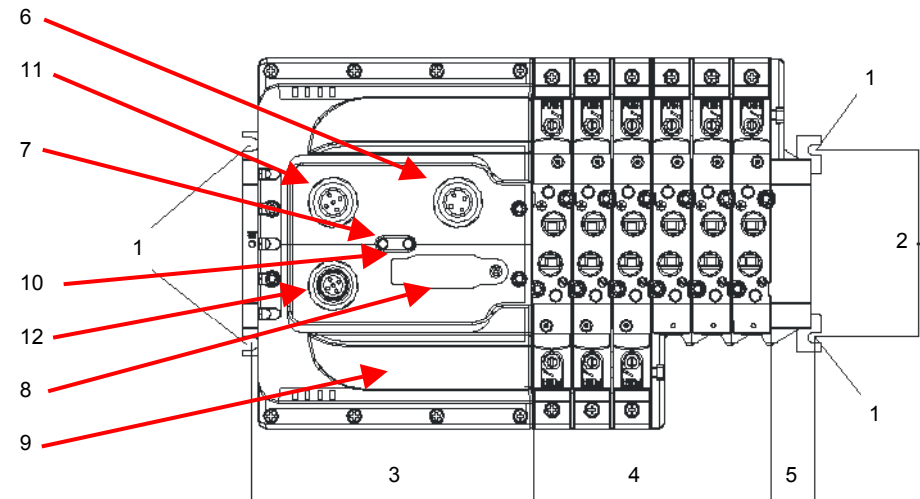
Dezentrale Ventilinsel in IP 65
CANopen, max. 22 Ventile

KUHNKE

Remote Valve Island in IP 65
CANopen, max. 22 valves

Frontansicht

Front view



Legende

Abmessungen

- 4 Bohrungen für Wandmontage
- 75 mm
- 121,3 mm
- 16 mm je Anschlussplatte
- 16 mm

Allgemein

- Stromversorgung 24 V DC "power"
- LED¹ Systemstatus
- Kodierschalter
- Beschriftungsfeld

Bus, CANopen-Schnittstelle

- Status-LED
- Anschluss „bus in“ (Stifte)
- Anschluss „bus out“ (Buchsen)

¹⁾ LEDs sind Licht emittierende Dioden Klasse 1 (gem. EN60825-1)

deutsch

10042615
5 January 2005

Legend

Dimensions

- 4 holes for fixing to the wall
- 75 mm
- 121,3 mm
- 16 mm x number of baseplates
- 16 mm

General

- Power supply 24 V DC "power"
- LED¹ system status
- Coding switch
- Inscription field

Bus, CANopen interface

- Status LED
- Connection „bus in“ (male)
- Connection „bus out“ (female)

¹⁾ LEDs are light emitting diodes, class 1 (in acc. with EN60825-1)

english

Systemdaten

Funktion

Die Busanschaltung der LPP Valve Island 770
CAN erlaubt die Ansteuerung von bis zu 22
Magnetspulen (Outputs) auf einer Ventilinsel, die
individuell aufgebaut werden kann

Technische Daten

Bauart:

kompaktes Kunststoffgehäuse auf
Metallschiene für LPP 770 Ventile
Schutzart: IP 65 (bei bedeckten Anschlüssen)
Abmessungen: siehe Katalog P 609

Zulässige Umgebungsbedingungen:

Lagertemperatur: -10...+55 °C
Betriebs-Umgebungstemperatur: 0...50 °C

Versorgungsanschluss, "power"

System und Ausgänge: 24 V DC -10%/+10%
Anschluss: M12 Rundsteckverbinder 5 pol, Stifte
Steckerbelegung:

Pin	Funktion
1	+24 V DC Versorgung System
2	+24 V DC Versorgung Ausgänge
3	0 V
4	0 V

CANopen Busanschluss

Übertragungsrate: bis 1000 kbit/s
Potentialtrennung: ja
Anschluss "bus in" (Stift):
M12 Rundsteckverbinder 5 pol
Anschluss "bus out" (Buchse):
M12 Rundsteckverbinder 5 pol
Steckerbelegung:

Pin	Funktion
1	Kabelabschirmung (kapazitiv auf GND geführt)
2	nc
3	CAN_GND
4	CAN_H
5	CAN_L

CiA Draft Standard 301, Version 3.0

System data

Function

The bus interface of the LPP Valve Island 770
CAN range can actuate up to 22 solenoid coils
(outputs) in a customised arrangement.

Technical data

Type:

compact synthetic material case on metal plate
for LPP 770 Valves
Protection: IP 65 (if connectors are covered)
Measurements: see catalogue P 609

Admissible ambient conditions

Storage temperature: -10...+55 °C
Ambient temp. during operation: 0...50 °C

Power Supply, "power"

System and outputs: 24 V DC -10%/+10%
Connection technique: 12 mm round plug, male
Pin wiring:

Pin	Function
1	+24 VDC supply to system
2	+24 VDC supply to outputs
3	0 V
4	0 V

CANopen Network Connection

Transfer rate: up to 1000 kbit/s
Potential separation: yes
connection "bus in" (male): 12 mm round plug
connection "bus out" (female): 12 mm round plug

Pin wiring:

Pin	Function
1	Cable shield (capacitive connection to GND)
2	nc
3	CAN_GND
4	CAN_H
5	CAN_L

CiA Draft Standard 301, version 3.0

Betriebszustandanzeige

LEDs¹ auf dem Gehäusedeckel zeigen den
Betriebszustand an

LED "RUN" / Gerätestatus

LED "RUN" (grün)	Status
Einzelnes Blinksignal	STOP
Blinkt	PREOPERATIONAL
An	OPERATIONAL

LED "ERR" / Status des CAN Systems

LED "ERR" (rot)	Status
Aus	Kein Fehler
Einzelnes Blinksignal	Warngrenze erreicht
Doppeltes Blinksignal	"Event Control"-Fehler
An	Bus ausgeschaltet

CANopen Teilnehmeradresse

wird am Kodierschalter mit den Schaltern
S1 ... S7 eingestellt.

Standard: Adressen **0...127**

Schalter							Adresse	0...127
1	2	3	4	5	6	7		
off	off	off	off	off	off	off	⚠	Nicht erlaubt!
on	off	off	off	off	off	off		1
off	on	off	off	off	off	off		2
on	on	off	off	off	off	off		3
								etc.
off	on	on	on	on	on	on		126
on	on	on	on	on	on	on		127

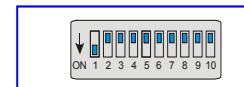
CANopen

Übertragungsgeschwindigkeit

Die Schalter S8 ... S10 dienen dem Einstellen der
Übertragungsgeschwindigkeit.

Schalter			Baud Rate [kbit/s]
8	9	10	
off	off	off	1000
on	off	off	800
off	on	off	500
on	on	off	250
off	off	on	125
on	off	on	50
off	on	on	20
on	on	on	10

Kodierschalter



¹⁾ LEDs sind Licht emittierende Dioden
Klasse 1 (gem. EN60825-1)

Operation state signalling

LEDs¹ on the case lid show the operational state

LED "RUN" / current status of the CANopen slave
node

LED "RUN" (green)	Status
Single flash	STOP
Flashing	PREOPERATIONAL
On	OPERATIONAL

LED "ERR" / physical status of the CAN layer

LED "ERR" (red)	Status
Off	No Errors
Single flash	"Limit reached" warning
Double flash	Event Control Error
On	Bus down

CANopen address

Station IDs can be changed by the coding
switches S1 ... S7 at the DIP Switch.

Standard: Adressen **0...127**

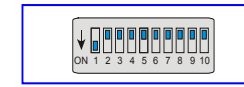
Switch							Adresse	0...127
1	2	3	4	5	6	7		
off	off	off	off	off	off	off	⚠	Not allowed!
on	off	off	off	off	off	off		1
off	on	off	off	off	off	off		2
on	on	off	off	off	off	off		3
								etc.
off	on	on	on	on	on	on		126
on	on	on	on	on	on	on		127

CANopen communication speed

Use the coding switches S8 ... S10 to set the
communication speed

Switch			Baud rate [kbit/s]
8	9	10	
off	off	off	1000
on	off	off	800
off	on	off	500
on	on	off	250
off	off	on	125
on	off	on	50
off	on	on	20
on	on	on	10

Coding switch



¹⁾ LEDs are light emitting diodes,
class 1 (in acc. with EN60825-1)