
The following page(s) are extracted from multi-page Kuhnke product catalogues or CDRoms and any page number shown is relevant to the original document. The PDF sheets here may have been combined to provide technical information about the specific product(s) you have selected.

Hard copy product catalogues, and CDRoms have been published describing Kuhnke Pneumatics, Solenoids, Relays and Electronics; some divided into different books. A list of current publications is available on this web site or from our sales offices. Some may be available for download, but as substantially larger files.

Contact Details

Kuhnke sales and service in the UK

H. Kuhnke Ltd
Unit 6 Focus 303
Focus Way, Walworth Business Park
Andover
Hampshire
SP10 5NY
United Kingdom

Tel: +44 (0)1264 364194
Fax: +44 (0)1264 365991
Email: sales@kuhnke.co.uk

Important Note

The information shown in these documents is for guidance only. No liability is accepted for any errors or omissions. The designer or user is solely responsible for the safe and proper application of the parts, assemblies or equipment described.

Mechanically Operated Valves

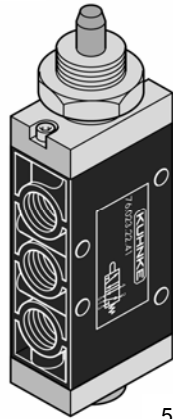
Plunger Operators

Kuhnke Power Valves

Plunger Operated, Nose Mount

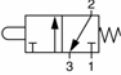
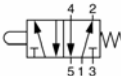


3/2



5/2

Depressing plunger operates valve. Used to detect material position or as an end of travel valve. Plunger travel approx. 5mm. Actuating force is 35 N.

Description	Orifice (Body No.)	Port Size	Catalogue Number	
			Metric Ports Standard	NPT Ports (USA Std.)
3/2 Norm. Closed Spring Return	 6mm (1S)	1/8	76022-22-21	75022-22-21
5/2 Spring Return	 6mm (2S)	1/8	76023-22-41	75023-22-41

Operating pressure range 0-10 bar. Actuation force @ 6 bar, is approx. 35 N.

For normally open function on 3/2 valve, reverse connect ports 1-3. For 2/2 operation, plug port 3.

Typical valve body dimensions are 63mm L (3/2), 80mm L (5/2) x 35mm H x 20mm W. Mounting hole 16mm diameter.

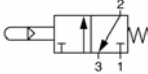
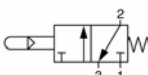
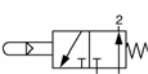


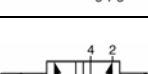
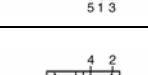
Through body mounting holes 4.5mm dia.

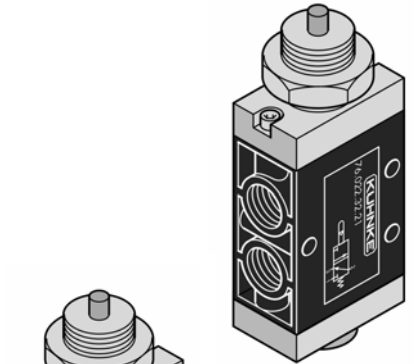
Plunger diameter is 6mm and extends 17mm from valve body. Plunger travel is 5mm +/- 1mm.

For valve specifications see appendix. For detail dimensions contact factory.

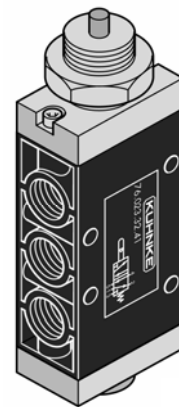
Plunger Operated, Air Pilot Assist, Nose Mount

Can be used as a door closed switch, material position detector or an end of travel detector. A double plunger is available which can be used on machine carriages to reverse direction of travel. Air pilot assist reduces actuation force to 8 N, minimum supply pressure 2.5 bar.

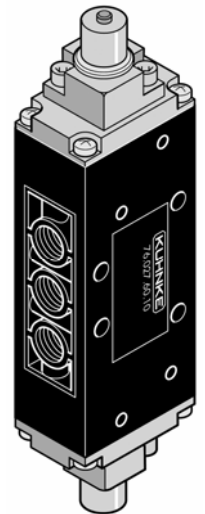
Description	Orifice (Body No.)	Port Size	Catalogue Number	
			Metric Ports Standard	NPT Ports (USA Std.)
3/2 Norm. Closed Spring Return 	6mm (1S)	1/8	76022-32-21	75022-32-21
3/2 Norm. Closed Spring Return 	8mm (6P)	1/4	76046-60-21	75046-60-21
3/2 Norm. Open Spring Return 	8mm (6P)	1/4	76046-60-31	75046-60-31
5/2 Spring Return 	6mm (2S)	1/8	76023-32-41	75023-32-41
5/2 Spring Return 	8mm (7P)	1/4	76047-60-41	75047-60-41
5/2 Plunger on Both Ends (Maintained) 	6mm (10P)	1/8	76027-60-10	75027-60-10
5/2 Plunger on Both Ends (Maintained) 	8mm (7P)	1/4	76047-60-10	75047-60-10



3/2
1/8 Ports



5/2
1/8 Ports



5/2 Plunger
On Both Ends

Operating pressure range is 2.5-10 bar. Actuation force @ 6 bar, is approx. 8 N.
 Approximate valve body dimensions for 1/8 ported valves are 87mm L (5/2 body no. 2S) x 35mm H x 20mm W. For body no. 10P- 120mm L x 50mm H x 25mm W. Approximate dimensions for 1/4 ported valves are 120mm L x 50mm H x 25mm W. Mounting hole 16mm diameter.
 Plunger diameter 4mm and extends 16mm from valve body. Plunger travel is 6mm.
For valve specifications see appendix. For detail dimensions contact factory.