

The following page(s) are extracted from multi-page Kuhnke product catalogues or CDROMs and any page number shown is relevant to the original document. The PDF sheets here may have been combined to provide technical information about the specific product(s) you have selected.

Hard copy product catalogues, and CDROMs have been published describing Kuhnke Pneumatics, Solenoids, Relays and Electronics; some divided into different books. A list of current publications is available on this web site or from our sales offices. Some may be available for download, but as substantially larger files.

Contact Details

Kuhnke sales and service in the UK

H. Kuhnke Ltd
Unit 21, Abbey Enterprise Centre
Premier Way
Romsey
Hants
SO51 9AQ

T: 01794 514445
F: 01794 513514
Email: sales@kuhnke.co.uk

Important Note

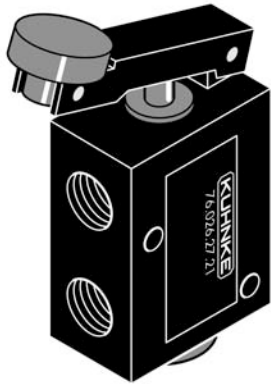
The information shown in these documents is for guidance only. No liability is accepted for any errors or omissions. The designer or user is solely responsible for the safe and proper application of the parts, assemblies or equipment described.

Mechanically Operated Valves

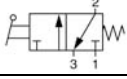
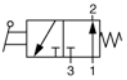
Plunger Operators

Kuhnke Power Valves

Flat Lever Operated, Body Mount, Compact Design

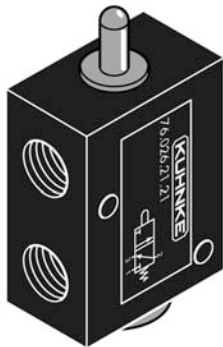


Can be used as end of travel device or thumb valve. Lever travel is 10mm. Actuation force is 20 N.

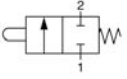
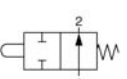

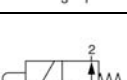
Description	Orifice (Body No.)	Port Size	Catalogue Number	
			Metric Ports Standard	NPT Ports (USA Std.)
3/2 Normally Closed Spring Return	 4mm (1bP)	1/8	76026-27-21	75026-27-21
3/2 Normally Open Spring Return	 4mm (1aP)	1/8	76026-27-31**	75026-27-31**

** These valves were discontinued in June 2006. Please contact us for advice on alternative products.

Plunger Operated, Body Mount, Compact Design



Depressing plunger operates valve. Used to detect material position or as an end of travel valve. Plunger travel approx. 5mm. Actuation force is 60 N.

Description	Orifice (Body No.)	Port Size	Catalogue Number	
			Metric Ports Standard	NPT Ports (USA Std.)
2/2 Normally Closed Spring Return	 4mm (1bP)	1/8	76025-21-21	75025-21-21
2/2 Normally Open Spring Return	 4mm (1aP)	1/8	76025-21-31**	75025-21-31**
3/2 Normally Closed Spring Return	 4mm (1bP)	1/8	76026-21-21	75026-21-21
3/2 Normally Open Spring Return	 4mm (1aP)	1/8	76026-21-31**	75026-21-31**

** These valves were discontinued in June 2006. Please contact us for advice on alternative products.

Operating pressure range 0-10 bar. Actuation force @ 6 bar, is approx. 60 N.
 Valve body dimensions are 50mm L x 16mm W x 32mm H. Through body mounting holes 4.5mm Dia.
 Flat Lever extends 27mm from valve body. Travel 14mm.
 Plunger diameter is 7mm and extends 14mm from valve body. Plunger travel 5mm +/- 1mm.
For valve specifications see appendix. For detail dimensions contact factory.