

---

The following page(s) are extracted from multi-page Kuhnke product catalogues or CDRoms and any page number shown is relevant to the original document. The PDF sheets here may have been combined to provide technical information about the specific product(s) you have selected.

Hard copy product catalogues, and CDRoms have been published describing Kuhnke Pneumatics, Solenoids, Relays and Electronics; some divided into different books. A list of current publications is available on this web site or from our sales offices. Some may be available for download, but as substantially larger files.

## Contact Details

Kuhnke sales and service in the UK

H. Kuhnke Ltd  
Unit 6 Focus 303  
Focus Way, Walworth Business Park  
Andover  
Hampshire  
SP10 5NY  
United Kingdom

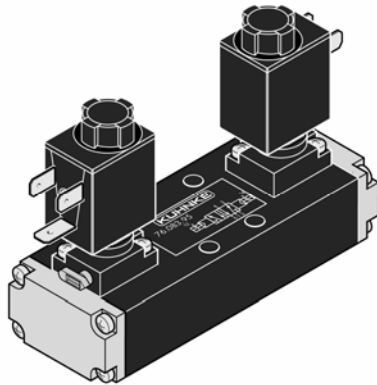
Tel: +44 (0)1264 364194  
Fax: +44 (0)1264 365991  
Email: [sales@kuhnke.co.uk](mailto:sales@kuhnke.co.uk)

### Important Note

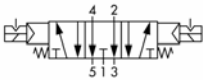
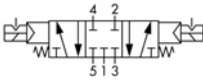
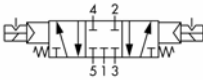
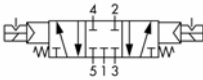
The information shown in these documents is for guidance only. No liability is accepted for any errors or omissions. The designer or user is solely responsible for the safe and proper application of the parts, assemblies or equipment described.

---

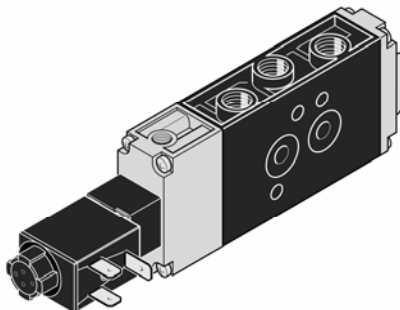
### 3 Position Valves (5/3), Solenoid Operated, ISO



ISO standard valves, solenoid operated, are available in 2 versions of 3 position valves; with all ports open or all ports closed in the center (off) position.

Description	Size	Type	Catalogue Number	
			Poppet Design	Spool Design
<b>Double Solenoid</b> All ports <i>open</i> in center position. 	ISO-1	Outboard coil	(Not Available)	76084-02-00
		Coil on top		76084-05-00
		CNOMO Coil		76084-08-00
<b>Double Solenoid</b> All ports <i>closed</i> in center position. 	ISO-2	Outboard coil	(Not Available)	--
		Coil on top		--
		CNOMO Coil		76094-08-00
<b>Double Solenoid</b> All ports <i>closed</i> in center position. 	ISO-1	Outboard coil	(Not Available)	76084-12-00
		Coil on top		76084-15-00
		CNOMO Coil		76084-18-00
<b>Double Solenoid</b> All ports <i>closed</i> in center position. 	ISO-2	Outboard coil	(Not Available)	--
		Coil on top		--
		CNOMO Coil		76094-18-00

### NAMUR Valves



NAMUR ¼ ported valves are designed to a European specification that standardizes the mounting holes amongst manufacturers. Valves are in line mounted and are available in several configurations.

Description	Catalogue Number	
	Poppet Design	Spool Design
Pneumatically Operated, Double Air Pilot	76077-81-42	--
Single Solenoid, Spring Return	76077-91-00	76073-91-00
Double Solenoid, Spring Return	76077-92-00	76073-92-00
Double Solenoid, 3 Position, all Ports Open in Center Pos.	--	76074-02-00
Double Solenoid, 3 Position, all Ports Closed in Center Pos.	--	76074-12-00

#### Order Coils Separately

See inset chart on page 51 for catalogue numbers.