

The following page(s) are extracted from multi-page Kuhnke product catalogues or CDROMs and any page number shown is relevant to the original document. The PDF sheets here may have been combined to provide technical information about the specific product(s) you have selected.

Hard copy product catalogues, and CDROMs have been published describing Kuhnke Pneumatics, Solenoids, Relays and Electronics; some divided into different books. A list of current publications is available on this web site or from our sales offices. Some may be available for download, but as substantially larger files.

## Contact Details

Kuhnke sales and service in the UK

H. Kuhnke Ltd  
Unit 21, Abbey Enterprise Center  
Premier Way  
Romsey  
Hants  
SO51 9AQ

T: 01794 514445

F: 01794 513514

Email: [sales@kuhnke.co.uk](mailto:sales@kuhnke.co.uk)

### Important Note

The information shown in these documents is for guidance only. No liability is accepted for any errors or omissions. The designer or user is solely responsible for the safe and proper application of the parts, assemblies or equipment described.

---

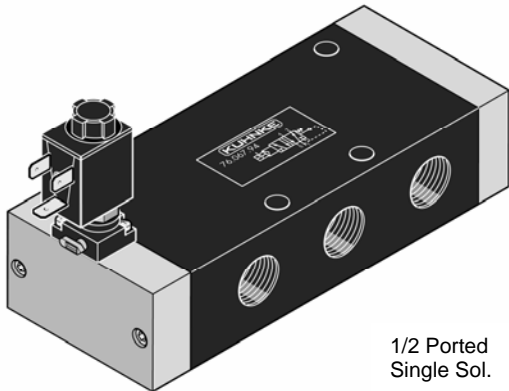
# Electrically Operated Valves

## General Purpose

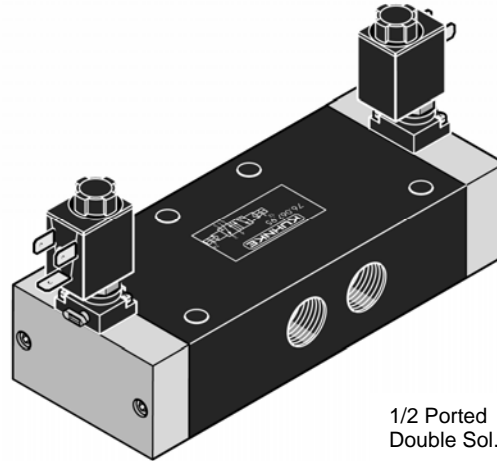
Kuhnke Power Valves

### Directional Control Valves (5/2), Solenoid Operated

(Poppet Design, Flat Mounting)

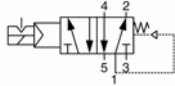
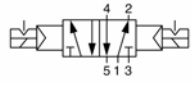
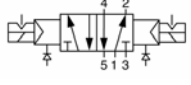


1/2 Ported  
Single Sol.



1/2 Ported  
Double Sol.

Valves have the same features as In-Line Directional Control valves on page 42, but are designed for mounting on flat surfaces.

Description	Orifice (Body No.)	Dimensions (Approx. mm) L x W x H	Port Size	Catalogue Number	
				Metric Ports Standard	NPT Ports (USA Std.)
<b>Single Solenoid</b> Spring Return- air assisted 	6mm (10P)	106 x 40 x 84	1/8	76027-94-00	75027-94-00
	8mm (7P)	121.5 x 50 x 82	1/4	76047-94-00	75047-94-00
	15mm (12P)	181.5 x 70 x 106	1/2	76067-94-00	75067-94-00
<b>Double Solenoid</b> With Detent 	6mm (10P)	106 x 40 x 84	1/8	76027-95-00	75027-95-00
	8mm (7P)	138 x 50 x 82	1/4	76047-95-00	75047-95-00
	15mm (12P)	194 x 70 x 106	1/2	76067-95-00	75067-95-00
<b>Double Solenoid</b> External Air Pilot * Detent 	--	--	--	--	--
	15mm (12P)	194 x 70 x 106	1/2	76367-95-00	75367-95-00

#### Order Coils Separately

Valve catalogue numbers do not include solenoid coils. Coils are supplied loose and unmounted as separate items. (Double solenoid types require 2 coils.)

AC Coil Catalogue No. 76410-02-\*\*  
 DC Coil Catalogue No. 76410-00-\*\*

\*\* - Add the required coil voltage suffix code from the chart below to complete the coil catalogue number.

Voltage	AC	DC
12V	-	01
24V	12	02
48V	13	03
110V	14	04
230V	15	05

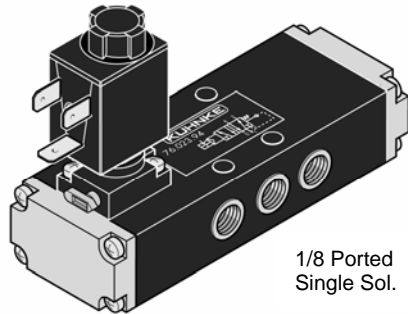
\* External Air Pilot: valves have an auxiliary M5 (10-32) port for connecting a separate air pilot supply for the solenoid section. For use when switching air pressures below 2.5 bar.

Operating pressure range is 2.5 to 10 bar. (Use valves with external pilot for switching lower pressures).

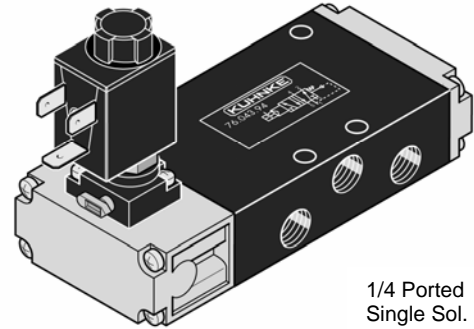
Through body mounting holes are 4.5mm for 1/8 and 1/4 ported valves, 6.5mm for 1/2 ported valves.

**For valve specifications see appendix. See accessory section for electrical connectors. For detail dimensions contact factory.**

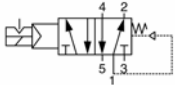
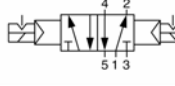
### Directional Control Valves (5/2), Solenoid Operated (Spool Design, Flat Mounting)



1/8 Ported  
Single Sol.



1/4 Ported  
Single Sol.

Description	Orifice (Body No.)	Dimensions (Approx. mm) L x W x H	Port Size	Catalogue Number	
				Metric Ports Standard	NPT Ports (USA Std.)
<b>Single Solenoid</b> Spring Return- air assisted 	6mm (8S)	106 x 40 x 84	1/8	76023-94-00	75023-94-00
	8mm (5S)	121.5 x 50 x 82	1/4	76043-94-00	75043-94-00
	--	--	--	--	--
<b>Double Solenoid</b> With Detent 	6mm (8S)	106 x 40 x 84	1/8	76023-95-00	75023-95-00
	8mm (5S)	138 x 50 x 82	1/4	76043-95-00	75043-95-00
	--	--	--	--	--

Valves have the same features as In-Line Directional Control Valves on page 43, but are designed for mounting on flat surfaces.

**Order Coils Separately**

Valve catalogue numbers do not include solenoid coils. Coils are supplied loose and unmounted as separate items. (Double solenoid types require 2 coils.)

**AC Coil Catalogue No. 76410-02-\*\*-**  
**DC Coil Catalogue No. 76410-00-\*\*-**

\*\* - Add the required coil voltage suffix code from the chart below to complete the coil catalogue number.

Voltage	AC	DC
12V	-	01
24V	12	02
48V	13	03
110V	14	04
230V	15	05

Operating pressure range is 2.5 to 10 bar.  
 Through body mounting holes are 4.5mm.

**For valve specifications see appendix. See accessory section for electrical connectors. For detail dimensions contact factory.**