

The following page(s) are extracted from multi-page Kuhnke product catalogues or CDRoms and any page number shown is relevant to the original document. The PDF sheets here may have been combined to provide technical information about the specific product(s) you have selected.

Hard copy product catalogues, and CDRoms have been published describing Kuhnke Pneumatics, Solenoids, Relays and Electronics; some divided into different books. A list of current publications is available on this web site or from our sales offices. Some may be available for download, but as substantially larger files.

Contact Details

Kuhnke sales and service in the UK

H. Kuhnke Ltd
Unit 6 Focus 303
Focus Way, Walworth Business Park
Andover
Hampshire
SP10 5NY
United Kingdom

Tel: +44 (0)1264 364194
Fax: +44 (0)1264 365991
Email: sales@kuhnke.co.uk

Important Note

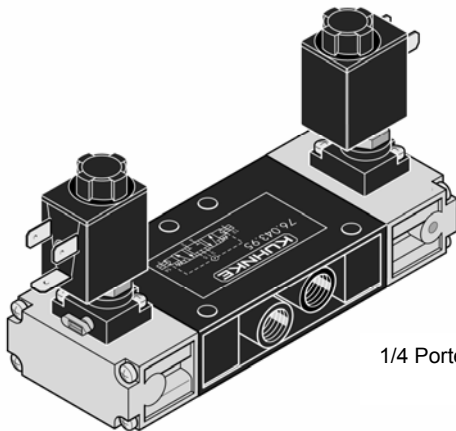
The information shown in these documents is for guidance only. No liability is accepted for any errors or omissions. The designer or user is solely responsible for the safe and proper application of the parts, assemblies or equipment described.

Electrically Operated Valves

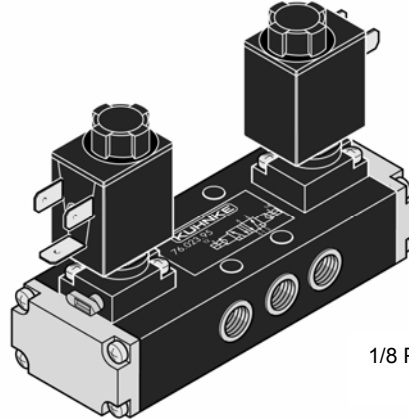
General Purpose

Kuhnke Power Valves

3 Position Valves (5/2), Solenoid Operated (Spool Design, Flat Mounting)



1/4 Ported



1/8 Ported

Three position valves can be used to position cylinder piston rods or switch air supplies to alternate devices. Flat mounted spool valves are available in 2 versions; with all ports open or all ports closed in the center (off) position. Springs return the valve to the center position when the coil power is switched off.

Description	Orifice (Body No.)	Dimensions (Approx. mm) L x W x H	Port Size	Catalogue Number	
				Metric Ports Standard	NPT Ports (USA Std.)
Double Solenoid All ports <i>open</i> in center position. 	6mm (8S)	106 x 40 x 84	1/8	76024-05-00	75024-05-00
	8mm (5S)	121.5 x 50 x 82	1/4	76044-05-00	75044-05-00
	--	--	--	--	--
Double Solenoid All ports <i>closed</i> in center position. 	6mm (8S)	106 x 40 x 84	1/8	76024-15-00	75024-15-00
	8mm (5S)	121.5 x 50 x 82	1/4	76044-15-00	75044-15-00
	--	--	--	--	--

Order Coils Separately

Valve catalogue numbers do not include solenoid coils. Coils are supplied loose and unmounted as separate items. (Double solenoid types require 2 coils.)

AC Coil Catalogue No. 76410-02-**

DC Coil Catalogue No. 76410-00-**

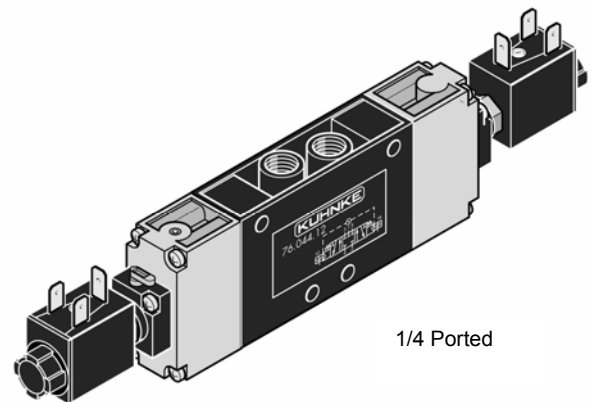
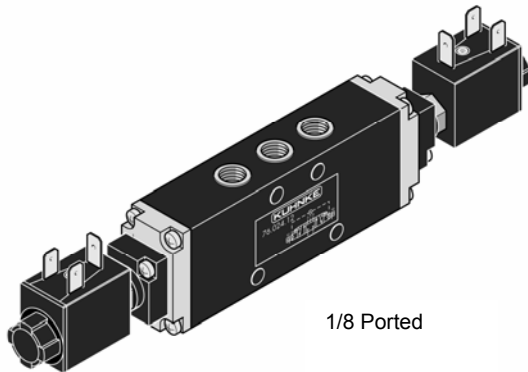
** - Add the required coil voltage suffix code from the chart below to complete the coil catalogue number.

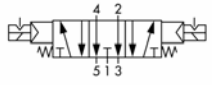
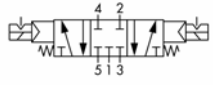
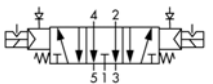
Voltage	AC	DC
12V	-	01
24V	12	02
48V	13	03
110V	14	04
230V	15	05

Operating pressure range is 2.5 to 10 bar.
Through body mounting holes are 4.5mm.

For valve specifications see appendix. See valve accessory section for electrical connectors. For detail dimensions contact factory.

3 Position Valves (5/2), Solenoid Operated (Spool Design, In Line Mounting)



Description	Orifice (Body No.)	Dimensions (Approx. mm) L x W x H	Port Size	Catalogue Number	
				Metric Ports Standard	NPT Ports (USA Std.)
Double Solenoid All ports <i>open</i> in center position. 	6mm (8S)	218 x 28 x 40	1/8	76024-02-00	75024-02-00
	6mm (1MS)	213 x 24 x 40	1/8	76124-02-00	(Not Available)
	8mm (5S)	251 x 26 x 50	1/4	76044-02-00	75044-02-00
Double Solenoid All ports <i>closed</i> in center position. 	6mm (8S)	218 x 28 x 40	1/8	76024-12-00	75024-12-00
	6mm (1MS)	213 x 24 x 40	1/8	76124-12-00	(Not Available)
	8mm (5S)	251 x 26 x 50	1/4	76044-12-00	75044-12-00
Double Solenoid External Air Pilot * All ports <i>open</i> in center position. 	6mm (8S)	250 x 28 x 40	1/8	76344-02-00	75344-02-00
	6mm (1MS)	248 x 24 x 40	1/8	76524-02-00	(Not Available)
	--	--	--	--	--

Three position valves can be used to position cylinder piston rods or switch air supplies to alternate devices. In line spool valves are available in 2 versions; with all ports open or all ports closed in the center (off) position. Springs return the valve to the center position when the coil power is switched off. Valves can be individually mounted using through body holes or assembled on manifolds.

Order Coils Separately

Valve catalogue numbers do not include solenoid coils. Coils are supplied loose and unmounted as separate items. (Double solenoid types require 2 coils.)

AC Coil Catalogue No, 76410-02-**
DC Coil Catalogue No, 76410-00-**

** - Add the required coil voltage suffix code from the chart below to complete the coil catalogue number.

Voltage	AC	DC
12V	—	01
24V	12	02
48V	13	03
110V	14	04
230V	15	05

* External Air Pilot: valves have an auxiliary M5 port for connecting a separate air pilot supply for the solenoid section. For use when switching air pressures below 2.5 bar

Operating pressure range is 2.5 to 10 bar. (Use valves with external pilot for switching lower pressures).

Through body mounting holes are 4.5mm dia.

For valve specifications see appendix. See accessory section for connectors and manifolds. For detail dimensions contact factory.