

The following page(s) are extracted from multi-page Kuhnke product catalogues or CDRoms and any page number shown is relevant to the original document. The PDF sheets here may have been combined to provide technical information about the specific product(s) you have selected.

Hard copy product catalogues, and CDRoms have been published describing Kuhnke Pneumatics, Solenoids, Relays and Electronics; some divided into different books. A list of current publications is available on this web site or from our sales offices. Some may be available for download, but as substantially larger files.

Contact Details

Kuhnke sales and service in the UK

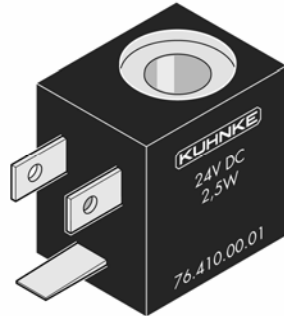
H. Kuhnke Ltd
Unit 6 Focus 303
Focus Way, Walworth Business Park
Andover
Hampshire
SP10 5NY
United Kingdom

Tel: +44 (0)1264 364194
Fax: +44 (0)1264 365991
Email: sales@kuhnke.co.uk

Important Note

The information shown in these documents is for guidance only. No liability is accepted for any errors or omissions. The designer or user is solely responsible for the safe and proper application of the parts, assemblies or equipment described.

Standard Solenoid Coils

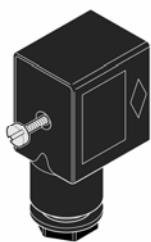


Standard coils fit all general purpose solenoid valves, except ISO valves with CNOMO air pilots. Coils are encapsulated to keep out water, oil and other contaminants providing splash proof protection when used with sockets below. The 3-prong plug includes a ground connection for the coil frame. Terminals can also be connected using crimp-on wire terminals with a 6mm spade dimension. Coil power consumption: AC (60Hz) is 3.5VA, DC is 2.5 W.

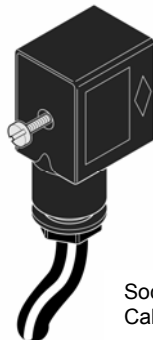
For electrical characteristics of solenoids see valve specifications in the appendix.

Voltage	Catalogue Number	
	AC	DC
12	--	76410-00-01
24	76410-02-12	76410-00-02
48	76410-02-13	76410-00-03
110	76410-02-14	76410-00-04
230	76410-02-15	76410-00-05

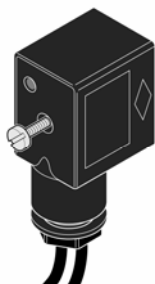
Electrical Connectors



Socket



Socket with Cable



Socket with Cable and LED/Surge Suppressor

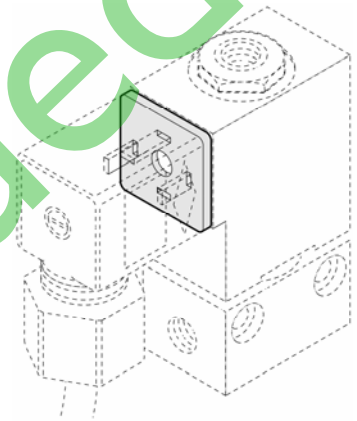
Plug in sockets are constructed of a flame resistant, black molded material and include a sealing ring which provides splash proof protection (IP65, NEMA 12,). The socket has screw terminals for a maximum wire size of 1.5mm² stranded (No.16 AWG). Maximum cable size for sealing ring is 7mm.

Description	Catalogue No.
Socket Only	65495-00
Pre Wired Socket with 3 meter cable (9 feet)	65495-01
Pre Wired Socket 3 meter cable (9 ft.) with built in yellow LED and surge suppressor for 24V AC or DC Max.	65495-02

Luminous Seal/Surge Suppressor

The luminous seal design provides surge suppression, a visual indication of valve on/off state, and forms a seal between coil and socket. Unit has 2 green LED's and a diode bridge, encapsulated in a poly-urethane/silicone material. The seal is approx. 3mm thick and is sandwiched between coil and socket.

Coil Voltage (AC or DC)	Catalogue No.
12 to 24V	65553-00
42 to 48V	65553-01
110 to 120V	65553-02
220 to 230V	65553-03



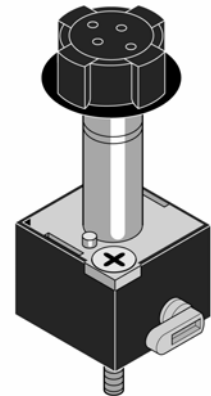
Replacement Air Pilot Valve

Catalogue No. **76136-01-00**

Fits all standard valves except ISO valves with CNOMO air pilots and coils.

The 3/2 pilot valve section of standard solenoid-operated valves can also be used as a remote air pilot valve when mounted on a sub base or manifold shown below. The valve has an orifice of 1mm and a flow of approximately 42 liters at 6 bar. Operating pressure range is 0-10 bar. The valve includes a red lever for manual operation. Also available in a normally open version, catalog number **76136-02-00**.

Order coils separately from the chart on the opposite page.



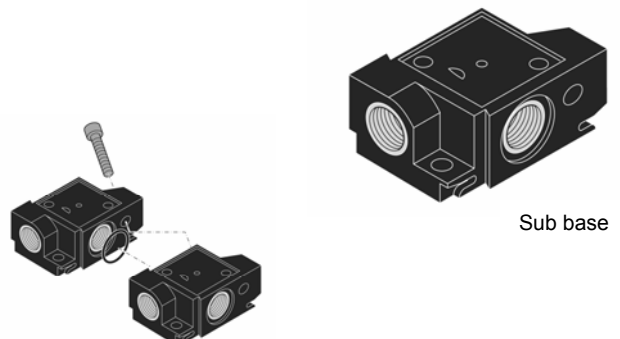
Air Pilot Valve Sub base / Manifold

Sub base with 1/8 metric port- **76420-03-01**

Sub base with push-in fitting for 4mm tubing- **76420-03-02**

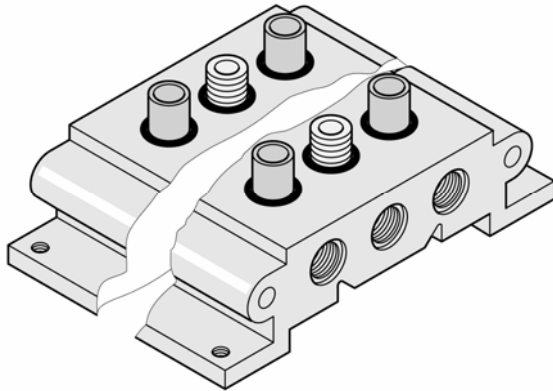
Valves can be mounted on sub base for remote piloting of pneumatically operated valves or used as stand alone 3/2 valves. Air pilot section is fastened to sub base with 2 included screws. Base can be mounted on a surface using (2) 4mm through body holes. Dimensions are 40mm L x 28mm W. With valve mounted, the height is 73mm.

Modular manifolds can be constructed using this base design to centralize valves with a common input air supply. Contact factory for details.

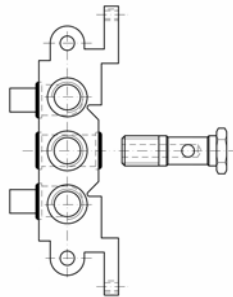


Modular Manifold System

Standard Manifold Kits



Two sizes of manifold kits are available (1/8 and 1/4 ported) for standard directional control valves, pneumatically or electrically operated (5/2, In-Line type, 2 or 3 position, except valve types 76123, 76124, 76127). Manifolds are single piece aluminum bases with common supply and exhaust ports on each end (1/8 or 1/4 metric respectively). For NPT supply ports, order supply line adaptor kit separately. Manifold kits include all valve mounting hardware, which accommodates both, Metric or NPT ported versions of valves. A hollow bolt is used to connect the valve to the base and supply the line air pressure. Two brass sleeves, sealed with O-rings, connect the exhaust ports. If a valve station is unoccupied (for future use), a blanking bar kit must be used to block manifold ports. Manifolds can be fastened down by 4 threaded M5 holes. Two or more 1/8 ported manifolds can be linked together with the use of connecting nipples and threaded tie rods (up to 5mm dia.) using the through body holes on the sides of the manifold to increase the number of stations.



Valve Station
Hardware Assembly

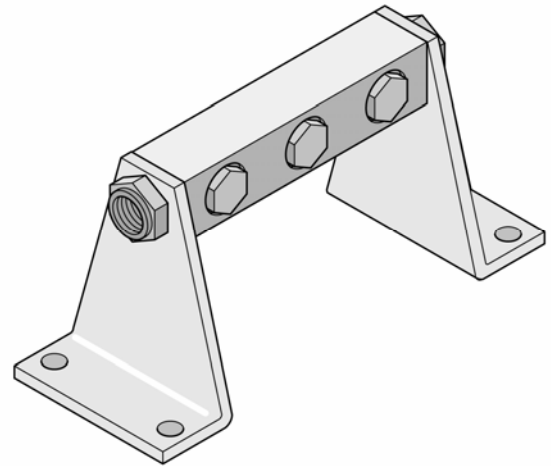
Number of Stations	For 1/8 Ported Valves		For 1/4 Ported Valves	
	Dimensions 102mm W. x 28mm H x L Dim. Below	Catalogue Number	Dimensions 102mm W. x 28mm H x L Dim. Below	Catalogue Number
1	35	76420-02-01	42	76440-02-01
2	64.5	76420-02-02	69	76440-02-02
3	93	76420-02-03	95.5	76440-02-03
4	121.5	76420-02-04	122	76440-02-04
5	150	76420-02-05	148.5	76440-02-05
6	178.5	76420-02-06	175	76440-02-06
7	207	76420-02-07	201.5	76440-02-07
8	235.5	76420-02-08	228	76440-02-08
9	264	76420-02-09	254.5	76440-02-09
10	292.5	76420-02-10	281	76440-02-10

Manifold Accessories

	Catalogue Number	
	<u>1/8 Ported</u>	<u>1/4 Ported</u>
Supply line NPT adaptor kit (3 Plugs, 3 Adapters)	75420-00-97	75440-00-97
Spare set of valve mounting hardware (for one station)	76420-00-34	76420-00-35
Blanking Bar Kit for empty station	76420-00-46	76420-00-47
Linking nipples (3), for connecting 1/8 manifolds together	76420-00-48	--

Common Input Manifolds

Two sizes of common input manifolds are available. Manifolds are aluminum bars, predrilled and tapped; with common 1/4 metric supply ports on each end. For NPT supply ports, order supply line adaptor kit separately. Manifold kits include valve mounting hardware, which accommodates both Metric, or NPT ported versions of valves. A hollow bolt is used to connect the valve to the bar and supply the line air pressure. Optional mounting bracket kits for supporting the manifold are available in 2 heights to accommodate the size of valves used.



Number of Stations	For 1/8 Ported Valves		For 1/4 Ported Valves	
	Dimensions 20mm Sq. x L Dim. Below	Catalogue Number	Dimensions 20mm Sq. x L Dim. Below	Catalogue Number
2	60.5	76420-01-02	60.5	76440-01-02
3	91	76420-01-03	91	76440-01-03
4	121.5	76420-01-04	121.5	76440-01-04
5	152	76420-01-05	152	76440-01-05
6	182.5	76420-01-06	182.5	76440-01-06
7	213	76420-01-07	213	76440-01-07
8	243.5	76420-01-08	243.5	76440-01-08
9	274	76420-01-09	274	76440-01-09
10	304.5	76420-01-10	304.5	76440-01-10

ue

Manifold Accessories

Supply line 1/4 NPT adaptor kit (1 Plug, 1 Adapter)	75440-00-99
Spare set of 1/8 valve mounting hardware (set of 3)	76420-00-34
Spare set of 1/4 valve mounting hardware (set of 3)	76420-00-35
Mounting Bracket Kit 70mm H x 26mm W (For 1/8 ported valves)	76420-00-09
Mounting Bracket Kit 140mm H x 26mm W (1/8 or 1/4 ported valves)	76440-00-10

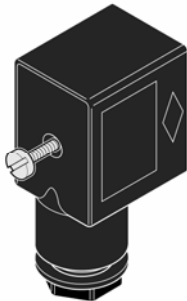
ISO (CNOMO) Solenoid Replacement Coils



For use on ISO valves with CNOMO air pilots.

Voltage	Catalogue Number	
	AC	DC
12	--	76411-00-01
24	76411-02-12	76411-00-02
48	76411-02-13	76411-00-03
110	76411-02-14	76411-00-04
230	76411-02-15	76411-00-05

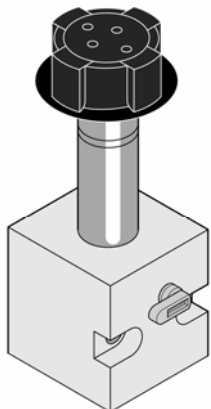
Plug-in Sockets for ISO valves with (CNOMO) Coils



Maximum wire size 1.5mm² (16 AWG), max. cable diameter for plug sealing ring is 7mm.

Description	Catalogue No.
Socket Only	67499-00
Pre Wired Socket with 3 meter (9 ft) cable	67499-01
Pre Wired Socket 3 meter (9 ft) cable with built in yellow LED and surge suppressor for 24V AC or DC Max.	67499-02

Replacement Air Pilot Valve (CNOMO)



Catalogue No. **76136-21-00**

Valve has mounting holes according to CNOMO standards. Operating pressure range is 0-10 bar.

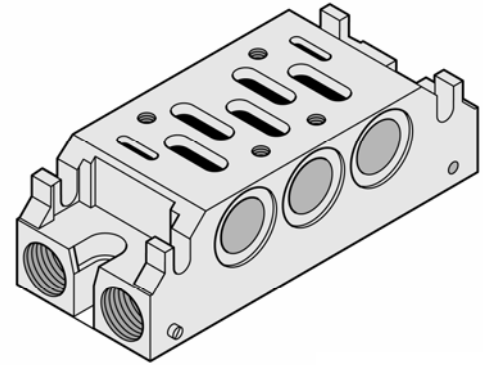
Order coils separately from the chart above.

ISO Sub bases and Manifolds

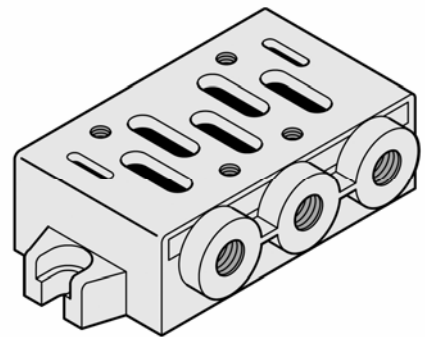
- Sub base ISO 1 **76420-00-11**
- Sub base ISO 2 **76420-00-12**
- Manifold Section ISO 1 **76420-00-13**
- Manifold Section ISO 2 **76420-00-14**

Manifold sections can be used to extend existing systems. Units include the necessary hardware for mounting. Sub bases can be used to individually mount ISO valves.

For a complete list of components including headers, interconnecting parts, blanking plates and hardware for new ISO valve installations, contact the factory.



ISO Manifold Section



ISO Sub Base

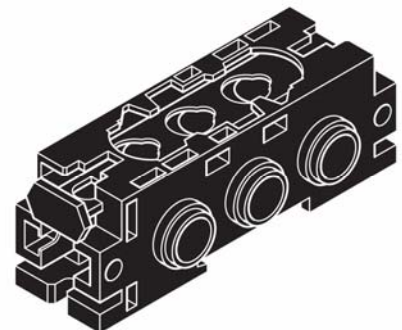
Manifold Components for Molded Valves

(For Valves 76123-xx, 76124-xx, 76127-xx)

- Add on Manifold Section **76420-00-01**

Additional manifold sections can be used to add valves to existing systems. This molded base system is used for valve types 76123, 76124, 76127 and is constructed of a black molded material. Manifold section includes 3 linking elements for mounting valve in place.

For a complete list of components for new valve installations contact the factory.



Replacement Operators for Manual/Mechanical Valves

- 76136-60-00** Air piloted plunger actuator set
- 76136-63-00** Air piloted antenna actuator set
- 76136-64-00** Air piloted shrouded head pushbutton actuator set
- 76136-67-00** Air piloted Mushroom head pushbutton actuator set